



Powerlift Series 400 with 10050 STD drum pump.
 Industrial range painted finish

For lifting drum pumps safely

This compressed air powered Lifting Device provides a safe and simple method of raising and lowering a Kecol drum pump into and out of drums, process containers, IBC's, mixing vessels, etc. The Powerlift, which is powered both up and down, is available in either painted steel or polished stainless steel construction and control is via a simple lever operated valve mounted on the main column of the unit.

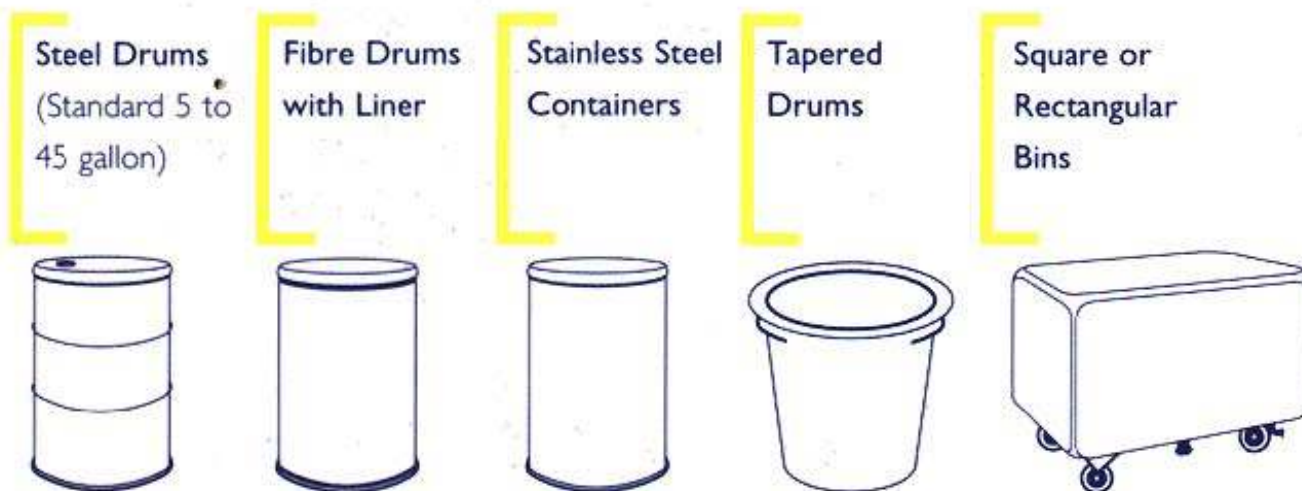
Features & Benefits

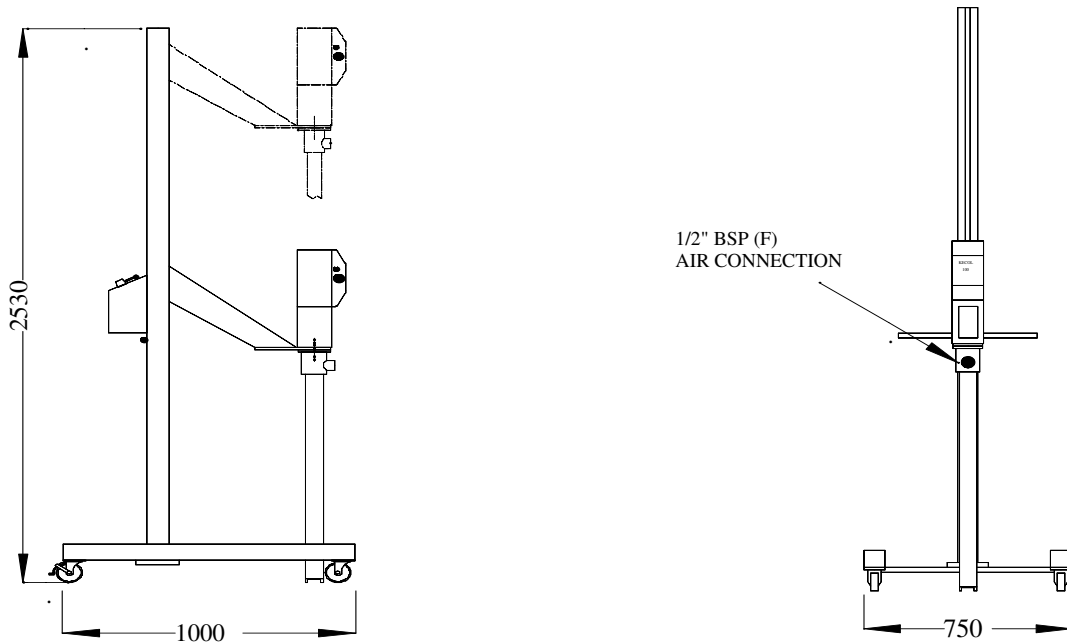
- Simple and Safe Operation
- No electrical connections required
- Air powered both up and down movement
- Castor base for easy manoeuvrability
- Polished Stainless Steel for sanitary applications, or
- Standard Painted Finish Industrial version

Typical Applications

- Food** Orange concentrates, tomato puree, vegetable fat, malt, meat paste, glucose, etc
- Pharmaceutical & Cosmetics** Ointments, creams, mascara, face scrub, etc
- Chemical & General Industrial** Adhesives, colouring, resins, printing inks, plasticizer, sealant, paint, tile adhesive, etc

Types of Drums & Vessels





Measuring Cylinder

Measuring Cylinders

Used in conjunction with a Kecal Piston Pump Pressure Priming System these Measuring Cylinders will dispense a predetermined volume of liquid or viscous product. They are constructed of either carbon steel or 316 stainless steel and are available in either manual or pneumatic actuation and fixed or adjustable outputs from about 200ml up to 3 Litres. Accuracy is normally better than $\pm 1\%$.



Powerprime Series 500

Powerprime Series 500

This single pressure priming system is used in conjunction with a Kecal piston pump for pumping semi-flowable & sticky products that tend to stick to the sides of the drum or container. The function of the Powerprime system is to 'force feed' the Kecal pump and as the level of product in the drum drops the follower plate wipes the sides clean.



Megaprime system

Maxiprime & Megaprime Systems

The Maxiprime & Megaprime twin cylinder pressure priming systems provide increased pressures for handling pastes up to 10,000 poise viscosity. Standard & non-standard drums & containers up to about 1.2 metre diameter can be used.



Special System

Non-Standard Pumps & Systems

Whether your requirement is for a special length piston pump with a non-standard outlet fitting or a Powerlift, Powerprime or Maxiprime system for non-standard vessels, Kecal will design and manufacture a unit to suit your requirements. Our engineers will be pleased to discuss the many different options that are available such as interlocking guards, jacking or standard castors, drum loading systems, quick strip pumps, dispensing and filling systems, etc