



Maxiprime Sanitary Model, Polished Stainless Steel

For pastes & high viscosity products that do not flow

The main difficulty with pastes and high viscosity products that do not flow is that the pump cannot be primed and simply cavitates, pumping air instead of product! The solution is to use a Kecol Maxiprime twin cylinder pressure priming system in conjunction with a Kecol stubby type piston pump, maintaining a positive prime on the pump and thus ensuring that it does not cavitate. As the product level falls, the sides of the drum are wiped clean by the follower plate on the priming system.

Features & Benefits

- Handles pastes up to 10,000 poise viscosity
- Eliminates Product Waste
- Simple and Safe Operation
- Polished Stainless Steel or Painted Steel Construction
- Optional 'Quick Strip' Follower Plate Assembly

Typical Applications

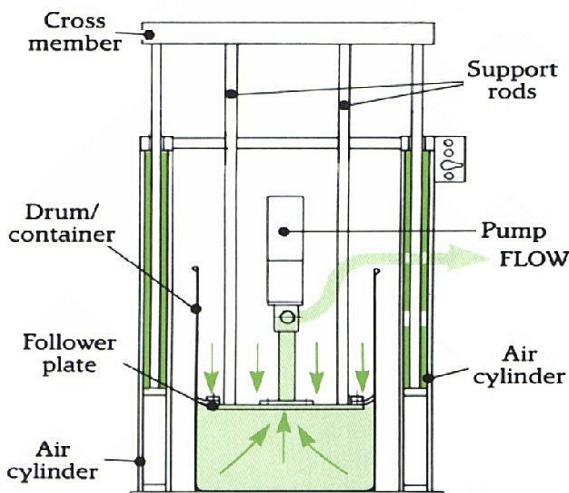
Food	Peanut Butter, Margarine, Cooking fat, Fruit Paste, Yeast Extract, etc
Pharmaceutical & Cosmetics	Ointments, Lanolin, Aluminium Hydroxide Pastes, Petroleum Jelly, etc
Chemical & General Industrial	Adhesives, Paint, Mastics, Grease, Inks, Resins, Tile Adhesive, Sealants, Wax, Pipe Jointing Compounds, Wood Filler, Etc



Round Follower Plate

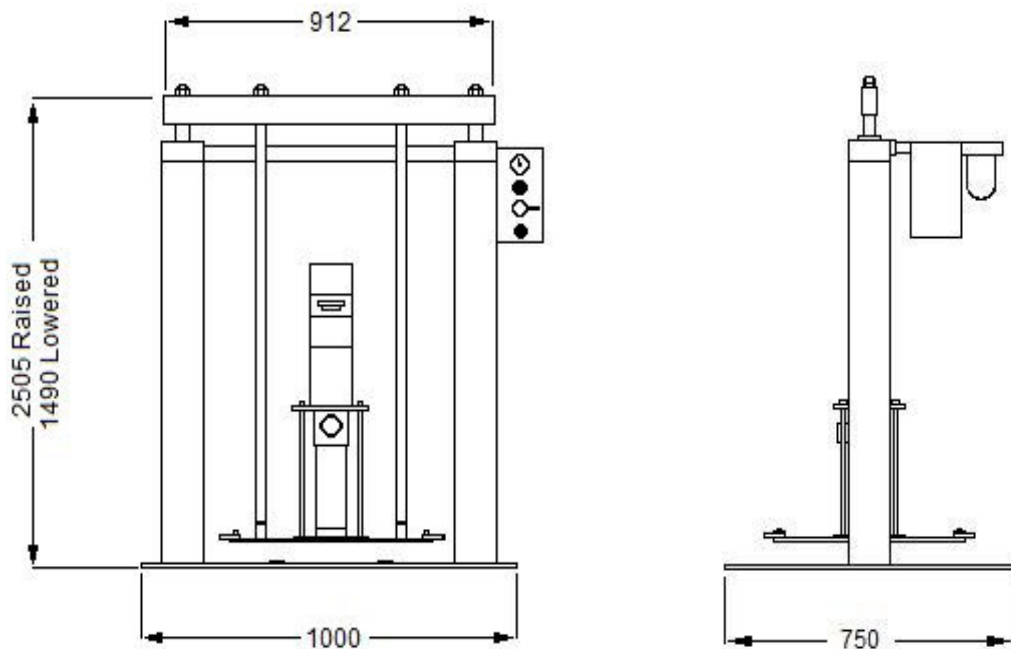


Square Follower Plate



Operation

Compressed air entering both cylinders simultaneously transmits a downward force on the follower plate, which in turn pressurises the material in the drum/container causing material to be forced up into the suction chamber of the pump. The additional pressure on the surface of the material created by the Maxiprime unit enables very high viscosity pastes, which cannot normally be pumped cold, to be handled by a Kecol piston pump. During the pumping cycle the level of the product gradually falls and the follower plate wiper blade wipes the sides of the vessel. Once the container is empty the direction of the air cylinders is reversed lifting the pump and follower plate clear, ready for changing drum/container.



Measuring Cylinder

Measuring Cylinders

Used in conjunction with a Kecol Piston Pump Pressure Priming System these Measuring Cylinders will dispense a predetermined volume of liquid or viscous product. They are constructed of either carbon steel or 316 stainless steel and are available in either manual or pneumatic actuation and fixed or adjustable outputs from about 200ml up to 3 Litres. Accuracy is normally better than $\pm 1\%$.



Variable Stroke Pump

Variable Stroke Pumps/Stroke Counter

The Variable Stroke Pump provides a means of varying the length of stroke and hence the output of a Kecol Pump. When used in conjunction with a Stroke Counter, the Variable Stroke Pump will dispense a predetermined volume of viscous product and will stop when the preset number of strokes has been reached.



Water Jacketed Pump

Water Jacketed Pumps

For situations where the product temperature needs to be maintained, Kecol Stubby Length Pumps can be Water Jacketed, allowing either hot or cold water to be circulated around the wetted end of the pump.



Megaprime System

Megaprime System

Based on the Maxiprime principle of operation the Megaprime twin cylinder pressure priming system is suitable for vessels up to 1200mm diameter and can be adapted for square bins.

Non-Standard Pumps & Systems

Whether your requirement is for a special length piston pump with a non-standard outlet fitting or a Powerlift, Powerprime or Maxiprime system for non-standard vessels, Kecol will design and manufacture a unit to suit your requirements.

Our engineers will be pleased to discuss the many different options that are available such as interlocking guards, jacking or standard castors, drum loading systems, quick strip pumps, dispensing and filling systems, etc



Special System