

Articulated Powerprime - Model 540

The Articulated Powerprime series 540 & H540 is a pneumatically operated priming device, which is used in conjunction with a Kecol piston pump and follower-plate assembly to enable semi-flowable products to be pumped cold from open top drums or process containers.

The articulated arm of the Powerprime has been designed to allow the pump and follower-plate assembly to be manoeuvred around 4 pallet mounted drums - without removing the drums from the pallet.

The follower-plate can be manufactured to suit almost any parallel or tapered drums up to 650mm diameter.

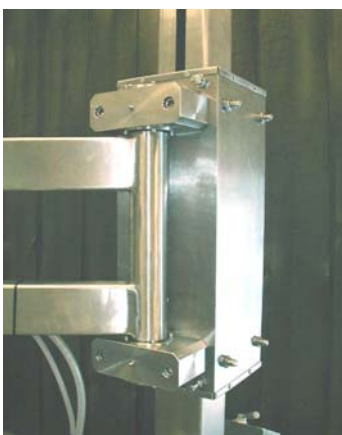
CHOICE OF MATERIALS

Hygienic Construction

- H540 Series all stainless steel construction (no paint finish) for the food, pharmaceutical and cosmetic industries.
- 316 stainless steel pump with PTFE seals and gaskets
- 316 Stainless Steel follower-plate fitted with a white food grade wiper ring.

Industrial Construction

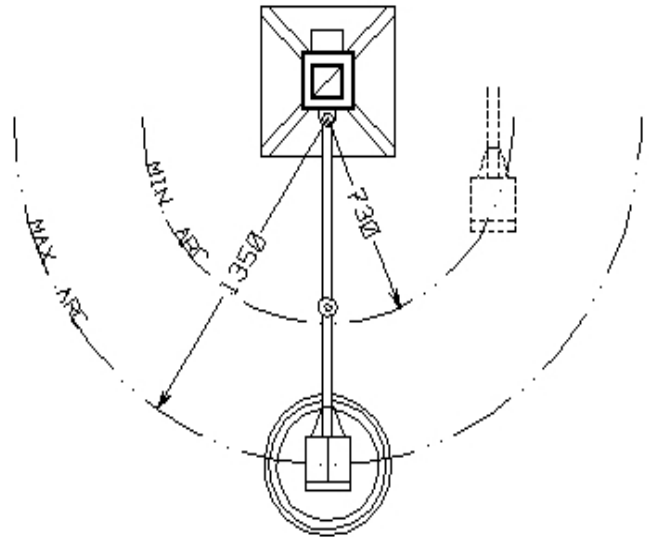
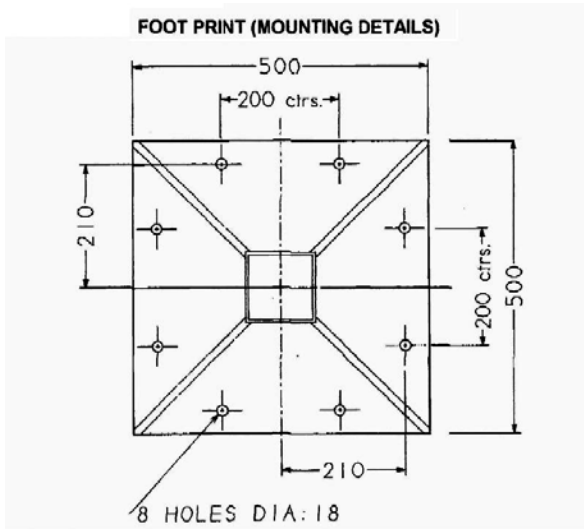
- 540 Series: stainless steel column with a painted carbon steel carriage and articulated arm assembly for general industrial applications.
- Stainless steel pump with PTFE or nitrile seals and gaskets
- Stainless Steel follower-plate fitted with a black nitrile wiper ring



Recent design improvements for the Kecol Articulated unit include:

- Stainless steel bearing housings now fitted as standard
- A carriage slot-guard now fitted as standard.
- Increased height adjustment for drums up to 1000 mm high





The Kecol Articulated Powerprime has an overall reach of 1350mm enabling access to a number of drums when strategically placed around the unit. The base of the Articulated system must be permanently fixed to the floor - using the eight 18mm diameter-fixing points as shown above in the left hand drawing,



Variable Stroke Pump

Variable Stroke Pumps/Stroke Counter

The Variable Stroke Pump provides a means of varying the length of stroke and hence the output of a Kecol Pump. When used in conjunction with a Stroke Counter, the Variable Stroke Pump will dispense a predetermined volume of viscous product and will stop when the preset number of strokes has been reached.



Water Jacketed Pump

Water Jacketed Pumps

For situations where the product temperature needs to be maintained, Kecol Stubby Length Pumps can be Water Jacketed, allowing either hot or cold water to be circulated around the wetted end of the pump.



Megaprime System

Megaprime System

Based on the Maxiprime principle of operation the Megaprime twin cylinder pressure priming system is suitable for vessels up to 1200mm diameter and can be adapted for square bins.



Special System

Non-Standard Pumps & Systems

Whether your requirement is for a special length piston pump with a non-standard outlet fitting or a Powerlift, Powerprime or Maxiprime system for non-standard vessels, Kecol will design and manufacture a unit to suit your requirements.

Our engineers will be pleased to discuss the many different options that are available such as interlocking guards, jacking or standard castors, drum loading systems, quick strip pumps, dispensing and filling systems, etc